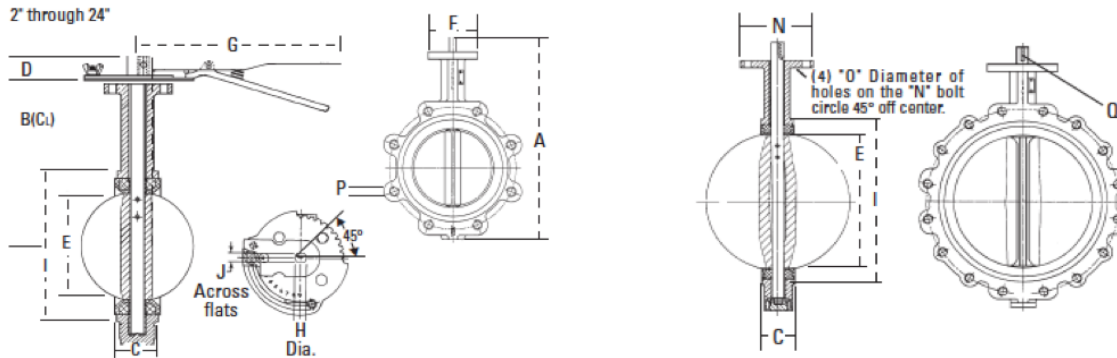


BUTTERFLY VALVES

SUBMITTAL DATA



Model Number	Size (In.)	Dimensions													
		A		B		C		D		E		F		G	
		in.	mm	in.	mm	in.	mm	in.	mm	in.	mm	in.	mm	in.	mm
BFV-020	2	10 3/8	273	6 3/8	161	1 3/8	42	1 3/8	32	2 1/2	64	3 1/16	77	10 1/2	267
BFV-025	2 1/2	11 3/8	295	6 7/8	175	1 3/8	45	1 3/8	32	2 1/2	64	3 1/16	77	10 1/2	267
BFV-030	3	12 3/8	308	7 3/8	181	1 3/8	45	1 3/8	32	3 3/8	79	3 1/16	77	10 1/2	267
BFV-040	4	13 3/8	346	7 7/8	200	2	52	1 3/8	32	4 3/8	105	3 3/8	92	10 1/2	267
BFV-050	5	14 3/8	372	8 3/8	213	2 3/16	56	1 3/8	32	4 7/8	124	3 3/8	92	10 1/2	267
BFV-060	6	15 3/8	397	8 7/8	226	2 3/16	56	1 3/8	32	6 3/8	156	3 3/8	92	10 1/2	267
BFV-080	8	18 7/8	479	10 3/8	260	2 3/8	60	1 3/8	45	8	202	5	125	14	356
BFV-100	10	21 3/8	540	11 1/2	292	2 3/4	66	1 3/8	45	9 7/8	251	5	125	14	356
BFV-120	12	24 3/8	626	13 3/8	337	3	76	1 3/8	45	11 7/8	301	6	150	14	356

Size (In.)	Dimensions													Weight (Lbs.)	
	H	I	J	Top Plate Drilling				Tapped Lug Data				Key Way			
				N		O		Bolt Circle		No. Holes	Bolt - P	Q			
	in.	mm	in.	in.	mm	in.	mm	in.	mm			in.	mm	88	87
2	1/2	13	3 3/8	2	50	1/4	7	4 3/8	121	4	3/8" - 11UNC x 1 3/8"	-	-	8	6
2 1/2	1/2	13	4 3/8	2	50	1/4	7	5 1/2	140	4	3/8" - 11UNC x 1 3/8"	-	-	10	7
3	1/2	13	4 3/8	2	50	1/4	7	6	150	4	3/8" - 11UNC x 1 3/8"	-	-	10	7
4	3/8	16	6 1/16	2 3/8	70	3/8	10	7 1/2	191	8	3/8" - 11UNC x 2"	-	-	17	12
5	3/8	19	7 3/8	2 3/8	70	3/8	10	8 1/2	216	8	3/8" - 10UNC x 2 3/16"	-	-	25	16
6	3/8	19	8 3/16	2 3/8	70	3/8	10	9 1/2	241	8	3/8" - 10UNC x 2 3/16"	-	-	27	20
8	7/8	22	10 3/8	4	102	1/2	13	11 1/4	298	8	3/8" - 10UNC x 2 3/8"	-	-	40	29
10	1 1/8	29	12 3/8	4	102	1/2	13	14 1/4	362	12	7/8" - 9UNC x 2 3/8"	-	-	63	48
12	1 1/4	32	14 3/8	5	125	1/2	13	17	432	12	7/8" - 9UNC x 3"	1/4 x 1 1/4	6 x 32	107	78

For larger sizes, contact factory.
Gear operators provided on size 8" and above.

Cv Rating (Full Open)	
Size	Cv Rating
2"	135
2 1/2"	220
3"	302
4"	600
5"	1,022
6"	1,579
8"	3,136
10"	5,340
12"	8,250

Seating Torque Buna-N, EPDM (in./lbs.)	
Size	Normal Conditions
	Wet/Dry
2"	134/214
2 1/2"	190/289
3"	250/387
4"	390/644
5"	600/959
6"	907/1,542
8"	1,697/2,919
10"	2,500/4,857
12"	3,300/7,071

Construction Materials	
Item Description	Material
Body	Ductile Iron
Stem	416SS
Disc	Aluminum Bronze
Seat	EPDM - 5°F to 250°F (-15°C to +121°C)

Note: Do not use EPDM when hydrocarbons are present.

Pressure Non-Shock			
Model Numbers	Size	Material	Rating
BFV-020 to BFV-120	2"-12"	Ductile Iron	2000 psi

SPECIFY WITH CONFIDENCE, SPECIFY PENN PUMP SYSTEMS